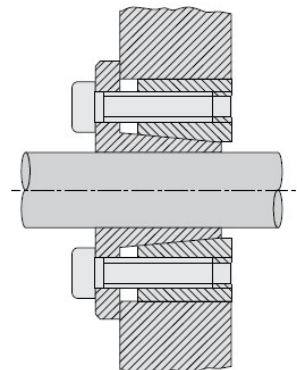
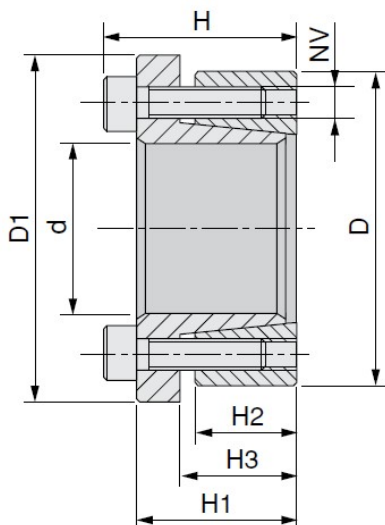


SVĚRNÁ POUZDRA

15BB2134

(samostředící)



Materiál : ocel C45

| Kód | Rozměry | | | | | | | Šroub | | | Vytláčovací závit | | Kroutcí moment | | Povrchové tlaky | |
|----------|---------|----|----|----|----|----|----|-------|------------------------|-------|-------------------|-------|----------------|------------|--------------------------------------|-------------------------------------|
| | d | D | D1 | H | H1 | H2 | H3 | NV | T _v (Nm) | Počet | NV | Počet | Mt (Nm) | Ta (KN) | Hřídel Pa (N/mm ²) | Náboj Pm (N/mm ²) |
| 15BB2134 | 14 | 55 | 62 | 39 | 31 | 17 | 22 | M8x25 | 37 | 4 | M8x25 | 2 | 234 | 33 | 415 | 106 |
| | 16 | 55 | 62 | 39 | 31 | 17 | 22 | M8x25 | 37 | 4 | M8x25 | 2 | 268 | 33 | 363 | 106 |
| | 18 | 55 | 62 | 39 | 31 | 17 | 22 | M8x25 | 41 | 4 | M8x25 | 2 | 333 | 37 | 357 | 117 |
| | 19 | 55 | 62 | 39 | 31 | 17 | 22 | M8x25 | 41 | 4 | M8x25 | 2 | 352 | 37 | 338 | 117 |
| | 20 | 55 | 62 | 39 | 31 | 17 | 22 | M8x25 | 41 | 4 | M8x25 | 2 | 370 | 37 | 321 | 117 |
| | 22 | 55 | 62 | 39 | 31 | 17 | 22 | M8x25 | 41 | 4 | M8x25 | 2 | 407 | 37 | 292 | 117 |
| | 24 | 55 | 62 | 39 | 31 | 17 | 22 | M8x25 | 41 | 4 | M8x25 | 2 | 445 | 37 | 268 | 117 |
| | 25 | 55 | 62 | 39 | 31 | 17 | 22 | M8x25 | 41 | 4 | M8x25 | 2 | 463 | 37 | 257 | 117 |
| | 28 | 55 | 62 | 39 | 31 | 17 | 22 | M8x25 | 41 | 4 | M8x25 | 2 | 519 | 37 | 229 | 117 |
| | 30 | 55 | 62 | 39 | 31 | 17 | 22 | M8x25 | 41 | 4 | M8x25 | 2 | 556 | 37 | 214 | 117 |
| | 24 | 65 | 72 | 39 | 31 | 17 | 22 | M8x25 | 41 | 5 | M8x25 | 3 | 556 | 46 | 335 | 124 |
| | 25 | 65 | 72 | 39 | 31 | 17 | 22 | M8x25 | 41 | 5 | M8x25 | 3 | 579 | 46 | 321 | 124 |
| | 28 | 65 | 72 | 39 | 31 | 17 | 22 | M8x25 | 41 | 5 | M8x25 | 3 | 649 | 46 | 287 | 124 |
| | 30 | 65 | 72 | 39 | 31 | 17 | 22 | M8x25 | 41 | 5 | M8x25 | 3 | 695 | 46 | 268 | 124 |
| | 32 | 65 | 72 | 39 | 31 | 17 | 22 | M8x25 | 41 | 5 | M8x25 | 3 | 741 | 46 | 251 | 124 |
| | 33 | 65 | 72 | 39 | 31 | 17 | 22 | M8x25 | 41 | 5 | M8x25 | 3 | 764 | 46 | 242 | 124 |
| | 35 | 65 | 72 | 39 | 31 | 17 | 22 | M8x25 | 41 | 5 | M8x25 | 3 | 811 | 46 | 230 | 124 |
| | 38 | 65 | 72 | 39 | 31 | 17 | 22 | M8x25 | 41 | 5 | M8x25 | 3 | 917 | 46 | 211 | 124 |
| | 40 | 65 | 72 | 39 | 31 | 17 | 22 | M8x25 | 41 | 5 | M8x25 | 3 | 966 | 46 | 201 | 124 |
| | 30 | 80 | 87 | 41 | 33 | 20 | 25 | M8x25 | 41 | 7 | M8x25 | 3 | 972 | 65 | 318 | 119 |
| | 32 | 80 | 87 | 41 | 33 | 20 | 25 | M8x25 | 41 | 7 | M8x25 | 3 | 1037 | 65 | 299 | 119 |
| | 33 | 80 | 87 | 41 | 33 | 20 | 25 | M8x25 | 41 | 7 | M8x25 | 3 | 1069 | 65 | 289 | 119 |
| | 35 | 80 | 87 | 41 | 33 | 20 | 25 | M8x25 | 41 | 7 | M8x25 | 3 | 1134 | 65 | 273 | 119 |
| | 38 | 80 | 87 | 41 | 33 | 20 | 25 | M8x25 | 41 | 7 | M8x25 | 3 | 1231 | 65 | 251 | 119 |
| | 40 | 80 | 87 | 41 | 33 | 20 | 25 | M8x25 | 41 | 7 | M8x25 | 3 | 1296 | 65 | 239 | 119 |
| | 42 | 80 | 87 | 41 | 33 | 20 | 25 | M8x25 | 41 | 7 | M8x25 | 3 | 1361 | 65 | 227 | 119 |
| | 45 | 80 | 87 | 41 | 33 | 20 | 25 | M8x25 | 41 | 7 | M8x25 | 3 | 1458 | 65 | 212 | 119 |
| | 48 | 80 | 87 | 41 | 33 | 20 | 25 | M8x25 | 41 | 7 | M8x25 | 3 | 1555 | 65 | 199 | 119 |
| | 50 | 80 | 87 | 41 | 33 | 20 | 25 | M8x25 | 41 | 7 | M8x25 | 3 | 1620 | 65 | 191 | 119 |