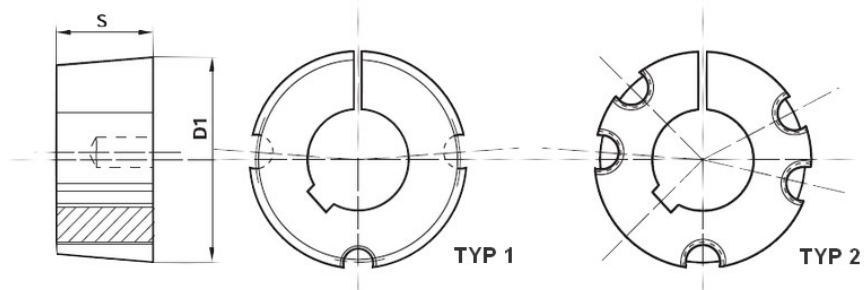


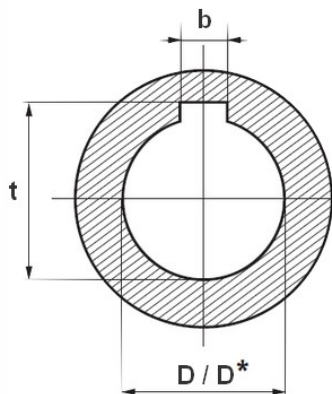
TAPER LOCK POUZDRA

Palcové rozměry



Materiál : šedá litina EN-GJL-250 UNI EN 1561

Kód	Rozměry Vnitřní průměr (Tolerance E8)	
	inch (palce)	
1008...	3/8" - 1/2" - 5/8" - 3/4" - 7/8" - 1"	
1108...	3/8" - 1/2" - 5/8" - 3/4" - 7/8" - 1" - 1 1/8"	
1210...	1/2" - 5/8" - 3/4" - 7/8" - 1" - 1 1/8" - 1 1/4"	
1215...	1/2" - 5/8" - 3/4" - 7/8" - 1" - 1 1/8" - 1 1/4"	
1610...	1/2" - 5/8" - 3/4" - 7/8" - 1" - 1 1/8" - 1 1/4" - 1 3/8" - 1 1/2" - 1 5/8"	
1615...	1/2" - 5/8" - 3/4" - 7/8" - 1" - 1 1/8" - 1 1/4" - 1 3/8" - 1 1/2" - 1 5/8"	
2012...	3/4" - 7/8" - 1" - 1 1/8" - 1 1/4" - 1 3/8" - 1 1/2" - 1 5/8" - 1 3/4" - 1 7/8" - 2"	
2517...	3/4" - 7/8" - 1" - 1 1/8" - 1 1/4" - 1 3/8" - 1 1/2" - 1 5/8" - 1 3/4" - 1 7/8" - 2" - 2 1/8" - 2 1/4" - 2 3/8" - 2 1/2"	
3020...	1 1/4" - 1 3/8" - 1 1/2" - 1 5/8" - 1 3/4" - 1 7/8" - 2" - 2 1/8" - 2 1/4" - 2 3/8" - 2 1/2" - 2 5/8" - 2 3/4" - 2 7/8" - 3"	
3030...	1 1/4" - 1 3/8" - 1 1/2" - 1 5/8" - 1 3/4" - 1 7/8" - 2" - 2 1/8" - 2 1/4" - 2 3/8" - 2 1/2" - 2 5/8" - 2 3/4" - 2 7/8" - 3"	
3525...	1 1/2" - 1 5/8" - 1 3/4" - 1 7/8" - 2" - 2 1/8" - 2 1/4" - 2 3/8" - 2 1/2" - 2 5/8" - 2 3/4" - 2 7/8" - 3" - 3 1/8" - 3 1/4" - 3 3/8" - 3 1/2"	
3535...	1 1/2" - 1 5/8" - 1 3/4" - 1 7/8" - 2" - 2 1/8" - 2 1/4" - 2 3/8" - 2 1/2" - 2 5/8" - 2 3/4" - 2 7/8" - 3" - 3 1/8" - 3 1/4" - 3 3/8" - 3 1/2"	
4030...	1 3/4" - 1 7/8" - 2" - 2 1/8" - 2 1/4" - 2 3/8" - 2 1/2" - 2 5/8" - 2 3/4" - 2 7/8" - 3" - 3 1/8" - 3 1/4" - 3 3/8" - 3 1/2" - 3 3/4" - 4"	
4040...	1 3/4" - 1 7/8" - 2" - 2 1/8" - 2 1/4" - 2 3/8" - 2 1/2" - 2 5/8" - 2 3/4" - 2 7/8" - 3" - 3 1/8" - 3 1/4" - 3 3/8" - 3 1/2" - 3 3/4" - 4"	
4535...	2 1/4" - 2 3/8" - 2 1/2" - 2 5/8" - 2 3/4" - 2 7/8" - 3" - 3 1/8" - 3 1/4" - 3 3/8" - 3 1/2" - 3 3/4" - 4" - 4 1/4" - 4 1/2"	
4545...	2 1/4" - 2 3/8" - 2 1/2" - 2 5/8" - 2 3/4" - 2 7/8" - 3" - 3 1/8" - 3 1/4" - 3 3/8" - 3 1/2" - 3 3/4" - 4" - 4 1/4" - 4 1/2"	
5040...	2 3/4" - 2 7/8" - 3" - 3 1/8" - 3 1/4" - 3 3/8" - 3 1/2" - 3 3/4" - 4" - 4 1/4" - 4 1/2" - 4 3/4" - 5"	
5050...	2 3/4" - 2 7/8" - 3" - 3 1/8" - 3 1/4" - 3 3/8" - 3 1/2" - 3 3/4" - 4" - 4 1/4" - 4 1/2" - 4 3/4" - 5"	



Rozměry drážky :

	D	b	t
nad 1/4"	do 1/2"	1/8"	D + 1/16"
» 1/2"	» 3/4"	3/16"	D + 3/32"
» 3/4"	» 1"	1/4"	D + 1/8"
» 1"	» 1 1/4"	5/16"	D + 1/8"
» 1 1/4"	» 1 1/2"	3/8"	D + 1/8"
» 1 1/2"	» 1 3/4"	7/16"	D + 5/32"
» 1 3/4"	» 2"	1/2"	D + 5/32"
» 2"	» 2 1/2"	5/8"	D + 7/32"
» 2 1/2"	» 3"	3/4"	D + 1/4"
» 3"	» 3 1/2"	7/8"	D + 5/16"
» 3 1/2"	» 4"	1"	D + 3/8"
» 4"	» 5"	1 1/4"	D + 7/16"
» 5"	» 6"	1 1/2"	D + 1/2"
» 6"	» 7"	1 3/4"	D + 5/8"

Rozměry nízko profilové drážky

D*	b	t
1"	1/4"	D + 1/16"
1 1/8"	5/16"	D + 5/64"
1 5/8"	7/16"	D + 1/8"